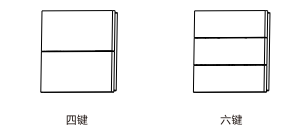

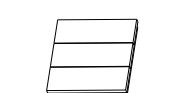
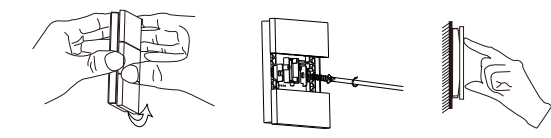
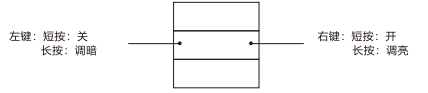
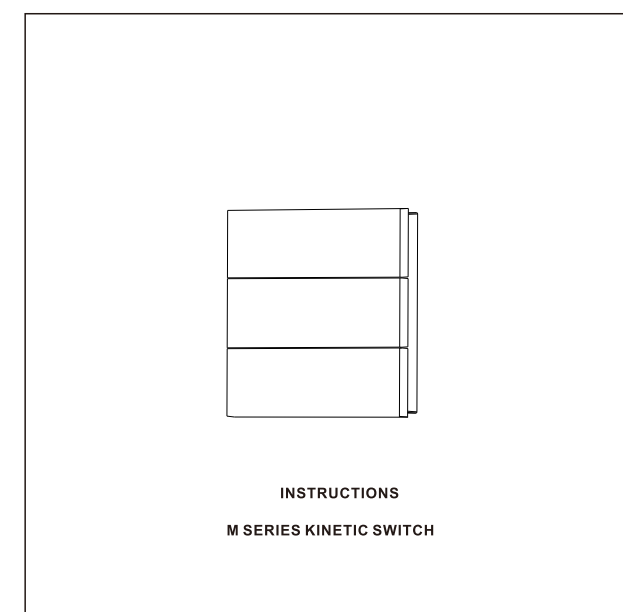
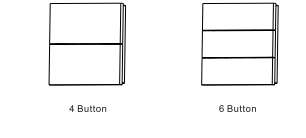
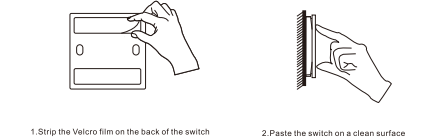
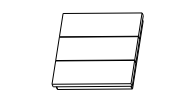
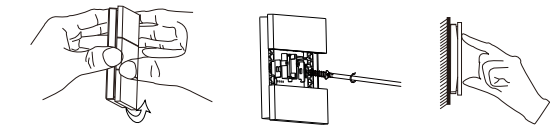
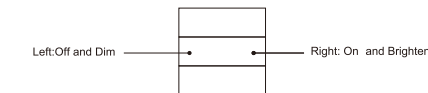
 <p>M系列开关 使用说明</p>	<p><b>产品介绍</b></p> <p>M系列开关是回弹式的动能开关，使用微能量采集技术，无需电池，该系列开关可和无线接收控制器进行配对使用，进行开关控制或者调光控制。</p>  <p>四键      六键</p> <p>●产品参数</p> <table border="0"> <tr> <td>产品系列: M系列</td> <td>开关类型: 回弹式</td> </tr> <tr> <td>按键数量: 4、6键</td> <td>电源模式: 微能量采集自发电</td> </tr> <tr> <td>工作频率: RF 433MHz</td> <td>工作湿度: 5%~95%RH</td> </tr> <tr> <td>使用温度: -20°C~55°C</td> <td>控制距离: 80m(室外) 25m(室内)</td> </tr> </table> <p>执行标准: Q/EBL01-2018 使用方式: 与无线接收控制器配对使用</p> <p>注: 有效距离数据为实验室测得, 实际使用中会因环境变化而有所不同</p>	产品系列: M系列	开关类型: 回弹式	按键数量: 4、6键	电源模式: 微能量采集自发电	工作频率: RF 433MHz	工作湿度: 5%~95%RH	使用温度: -20°C~55°C	控制距离: 80m(室外) 25m(室内)	<p><b>开关安装</b></p> <p>●方式一: 使用包装内附带的魔术粘将开关粘于玻璃面、大理石面、瓷砖面等稳固的、洁净的表面。</p>  <p>①将开关背面的魔术粘上的连接纸撕开      ②将开关粘于干净的平面上</p>  <p>③若有需要, 可将开关在魔术贴上取下, 将开关作为普通开关使用 (注意: 取下时注意握持方式, 若粘贴在不牢固的墙面, 切勿取下)</p>	<p>●方式二: 按下图方式将开关的按键掰开, 使用自攻螺丝将开关的底座锁定于墙上的膨胀胶粒或者6股线盒内, 然后用力按压将按键装回底座。</p>  <p>①小心地掰开按键      ②将开关底座嵌于墙上的膨胀胶粒或者6股线盒内      ③按压按键使其装回底座</p>	<p><b>与控制器配对</b></p> <p>M系列开关需要与无线接收控制器配对使用, 配对方式为按住控制器上的“配对键”约3秒, 在指示灯闪烁的时候松开按键, 然后按下M开关的一个按键一次, 指示灯熄灭表示配对成功, 即可使用该按键控制该无线接收控制器。 (更详细配对步骤, 请参考无线接收控制器说明书)</p> <p>若控制器为可调光控制器, 且打开可调光模式, 可按已配对的开关按键对灯光的亮度进行循环调节, 在下次开灯的时候会保持上次关灯时候的亮度。</p> <p><b>与控制器定向配对</b></p> <p>为了符合用户对传统使用习惯, 并保证在一控多模式下多个控制器的开和关的同步, 我们给M系列开关定义了定向配对模式。</p> <p>定向配对模式为横向两个按键为一组, 按6键开关有三组。</p> <p>定向配对的配对方式为按住控制器上的“配对键”约3秒, 在指示灯闪烁的时候松开按键, 此时按下M开关一组中的任意一个按键四次(在1秒内), 控制指示灯熄灭表示配对成功, 此时, 按下开关左键为关, 按下开关右键为开, 若用于调光, 长按左键调暗, 长按右键调亮。</p>  <p>左键: 短按: 关 长按: 调暗      右键: 短按: 开 长按: 调亮</p>	<p>合格证/已检验 Certificate / Inspected</p>
产品系列: M系列	开关类型: 回弹式												
按键数量: 4、6键	电源模式: 微能量采集自发电												
工作频率: RF 433MHz	工作湿度: 5%~95%RH												
使用温度: -20°C~55°C	控制距离: 80m(室外) 25m(室内)												

 <p>INSTRUCTIONS M SERIES KINETIC SWITCH</p>	<p><b>Product Description</b></p> <p>The M series switch is a push button style kinetic energy switch that uses micro-energy acquisition technology without battery. It can be paired with controller to work. If it is paired with a dimmable controller, you can turn on/off/dim the lights.</p>  <p>4 Button      6 Button</p> <p>● Product Parameters</p> <table border="0"> <tr> <td>Product Series: M Series</td> <td>Work Type: Push Button Type</td> </tr> <tr> <td>Number of keys: 4, 6 buttons</td> <td>Power Supply: Self-powered(No battery)</td> </tr> <tr> <td>Working Frequency: RF 433MHz</td> <td>Working humidity: 5%~95%RH</td> </tr> <tr> <td>Working Temperature: -20°C~55°C</td> <td></td> </tr> <tr> <td>Control Distance: 80m (outdoor) 25m (indoor)</td> <td></td> </tr> </table> <p>Executive Standard: Q/EBL01-2018 Use Method: Pairing with Wireless Receiving Controller</p> <p>Note: The effective distance data is measured by Lab and it will vary due to the changes of the environment on the actual use</p>	Product Series: M Series	Work Type: Push Button Type	Number of keys: 4, 6 buttons	Power Supply: Self-powered(No battery)	Working Frequency: RF 433MHz	Working humidity: 5%~95%RH	Working Temperature: -20°C~55°C		Control Distance: 80m (outdoor) 25m (indoor)		<p><b>Switch Installation</b></p> <p>Method 1: Use the Velcro in the package to attach the switch to a stable and clean surface such as glass, marble, and tile.</p>  <p>1 Strip the Velcro film on the back of the switch      2 Paste the switch on a clean surface</p>  <p>3 If necessary, remove the switch from the Velcro and use the switch as a mobile switch. (Note: Take care when removing it. If it is stuck on an unstable wall, do not remove it.)</p>	<p>Method 2: Open the button of the switch as shown below, and use the self-tapping screw to lock the base of the switch to the wall by expansion rubber or 66 type wire box, then press firmly to put the button back on the base.</p>  <p>1 Open the button carefully      2 The switch base is locked in the wall expansion rubber or type 66 box      3 Press the button to replace it on the base</p>	<p><b>Pair with Controller</b></p> <p>The M series switches need to be paired with wireless controller. The ordinary pairing method is to press and hold the controller "pairing key" for about 3 seconds, release the "pairing key" button when the indicator light flashes, and then press a button of the M switch once. The indicator light goes off, which means that the pairing is successful. Then you can control the wireless controller by this button. (More detailed steps, please refer to the receiving controller instruction)</p> <p>If the controller is dimmable and the dimming mode is open, long press on the paired button to dim the brightness circularly and remember the brightness when you turn on the light again.</p> <p><b>Directional Pairing with Controller</b></p> <p>In order to meet the user's habits of the switch and to ensure that the multiple controllers can be turned on and off at the same time in the one-to-multiple mode, we design the directional pairing mode. Directional pairing mode is a group of two horizontal buttons, and there are three groups of 6-button switch.</p> <p>The ordinary pairing method is to press and hold the "pairing key" on the controller about 3 seconds and release when the light is flashing. Then press one of the group button four times (within 1 seconds), the indicator light goes off, which means pairing is successful. After directional pairing is successful, the left button can only turn off and the right button can only turn on. Long press the left button can only dim, long press the right button can only brighten.</p>  <p>Left: Off and Dim      Right: On and Brighten</p>	<p>CERTIFICATE INSPECTED</p>
Product Series: M Series	Work Type: Push Button Type														
Number of keys: 4, 6 buttons	Power Supply: Self-powered(No battery)														
Working Frequency: RF 433MHz	Working humidity: 5%~95%RH														
Working Temperature: -20°C~55°C															
Control Distance: 80m (outdoor) 25m (indoor)															

SW1A8320EB010

M系列开关说明书-中性(中英文二合一), 80\*80mm, 125g铜版纸印刷