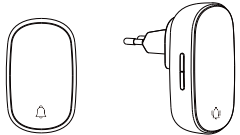
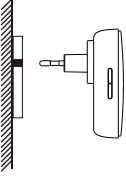

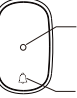
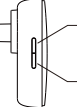
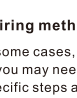
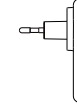
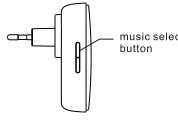
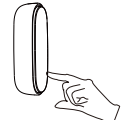
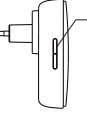
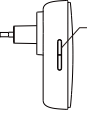
 <p>Q2 series self-powered wireless doorbell</p> <p>Instruction</p>	<p>Product description</p> <p>Q2 series doorbell adopts micro-energy acquisition and spontaneous electricity technology. Doorbell transmitter does not need batteries and it is easy to install. Doorbell receiver has multiple ring tone music and adjustable ring tone volume.</p>  <p>Transmitter Receiver</p> <p>Product parameter</p> <p>Product series: Q2 series Ring volume : 4 level adjustable Ring music type: 38 types (switchable) Communication distance: 100m(Outdoor) 30m(Indoor) Temperature range : -20°C ~ +55°C Working frequency: 433MHz Executive standard: Q/EBL01-2018 Receiver operating voltage: 100-240V~ 50/60Hz Storage capacity: The receiver is paired with up to 10 transmitters</p> <p><small>Note: Control distance is measured by ebelong laboratory, which may be different with different environment</small></p>	<p>Installation</p> <p>1. Plug the receiver into the appropriate AC power outlet in the room. When it is connected the power, it will ring once. This product only supports indoor use, while avoiding high temperature, high humidity. (It is recommended to install the receiver 50cm above from the ground, and the signal will be weakened near the ground)</p>  <p>2. Methods to install transmitter: use double-sided tape.</p> <p>Use the double-sided tape included to paste the doorbell transmitter outside the door where you want to install it. (Do not stick to metal security door, so as not to affect signal transmission)</p> 	<p>Key function</p>  <p>Key indicator light: When transmitter key is pressed, the indicator light will blink once, it means that transmitter signal is sent successfully.</p>  <p>Transmitter button: After pressing the button, the transmitter will send signal and the doorbell receiver will ring.</p>  <p>1. Music selection button: Each time you press this button, the music is cyclically switched in 38 songs in order.</p>  <p>2. Volume button: Each time you press this button, the volume is switched in 1-4 volume cyclically.</p> <p>Pairing method</p> <p>In some cases, you may need to re-pair the transmitter and receiver, or you may need to use multiple transmitters at the same time. The specific steps are as follows:</p>  <p>music selection button</p>  <p>1. Press and hold the music selection button for about 3 seconds until the indicator light on the doorbell flashes.</p> <p>2. Press the doorbell to send signals once, and the indicator light on the doorbell receiver goes out.</p> <p>(If you need to pair multiple transmitters, repeat the above steps)</p>	<p>Silent mode</p>  <p>Long press the music selection button for 8 seconds, the indicator light of doorbell receiver changes from flashing slowly to stay on, and then remove the hand when indicator light stays on. After that, receiver enter silent mode. If need to disable the silent mode, repeat the above method.</p> <p>Clear pairing</p>  <p>Press and hold the music selection button for about 12 seconds until the receiver indicator light changes from flashing to stay on, and then goes out, release the button when indicator light goes out. The pair information in the receiver is cleared. Then you can pair with other doorbell transmitters.</p>	<p style="text-align: center;">CERTIFICATE INSPECTED</p>
---	---	---	---	---	---

SW1A8735EB010 Q2欧版门铃套装说明书-中性英文 125g铜版纸印刷 70*90mm